

DESCRIPTION

SC6523 is an LCD Driver IC which can drive up to 156 segments. It can be used for frequency display in microprocessor-controlled radio receiver and in other display applications. SC6523 supports both 1/2 bias, 1/3 duty and 1/3 duty, 1/3 bias. Pin assignments and application circuit are optimized for easy PCB layout and cost saving advantages.

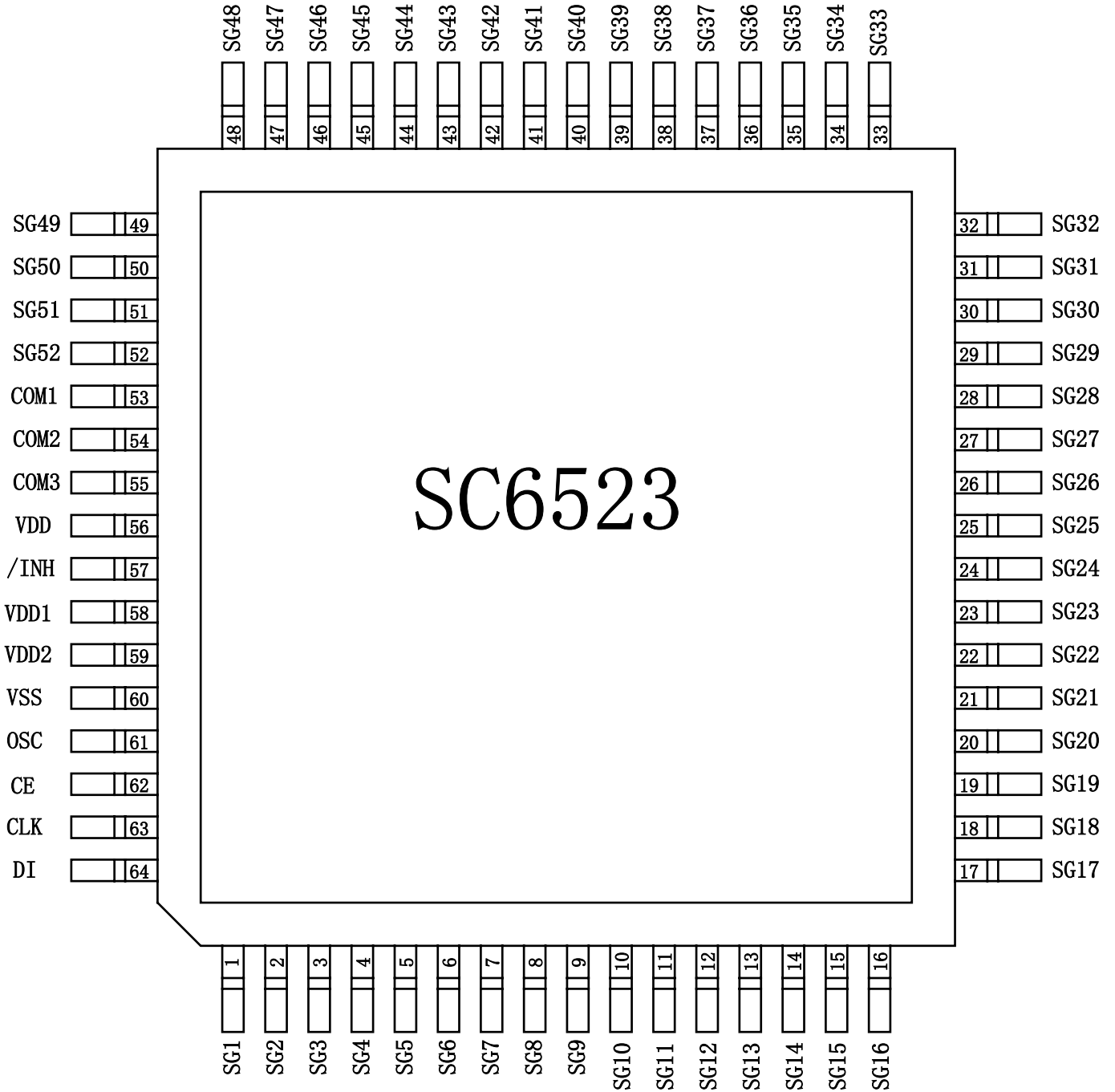
FEATURES

- Up to 156 Segments Outputs
- 1/3 Duty - 1/2 Bias and 1/3 Duty - 1/3 Bias Drive Techniques
- Power Saving Mode and all Segments OFF Function
- Direct Display of Display Data without using a Decoder
- RC Oscillation Circuit
- Power Supply Voltage: 4.5 to 6V
- LCD Drive Bias Voltage can be provided internally or externally
- Available in 64 pins, QFP or LQFP Package

APPLICATIONS

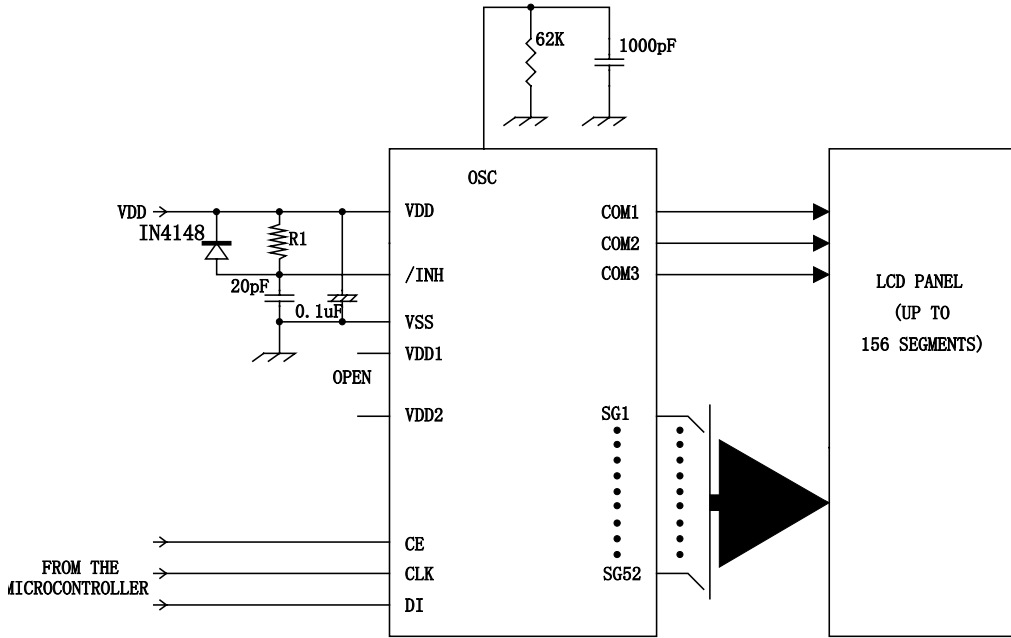
- Electronic Dictionary / Translator
- P.O.S.
- Caller ID
- Pager
- Mini Compo
- Electronic Equipment with LCD Display

PIN CONFIGURATION



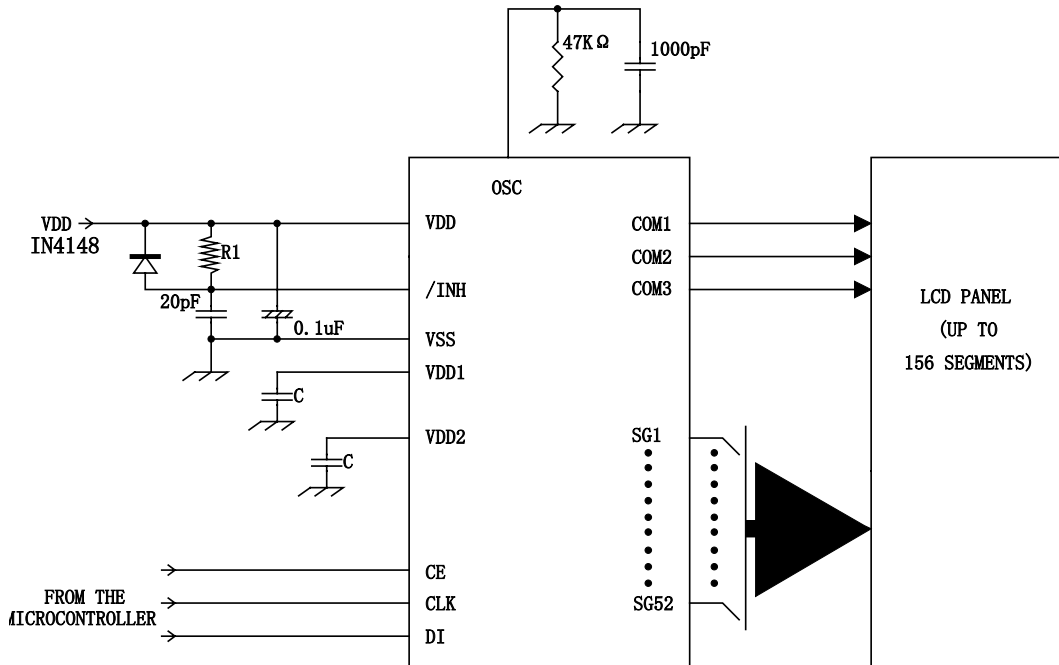
APPLICATION CIRCUITS

1/3 BIAS (FOR SMALL DISPLAY PANEL)



Note: 1. $39K\Omega \geq R1 \geq 10K\Omega$

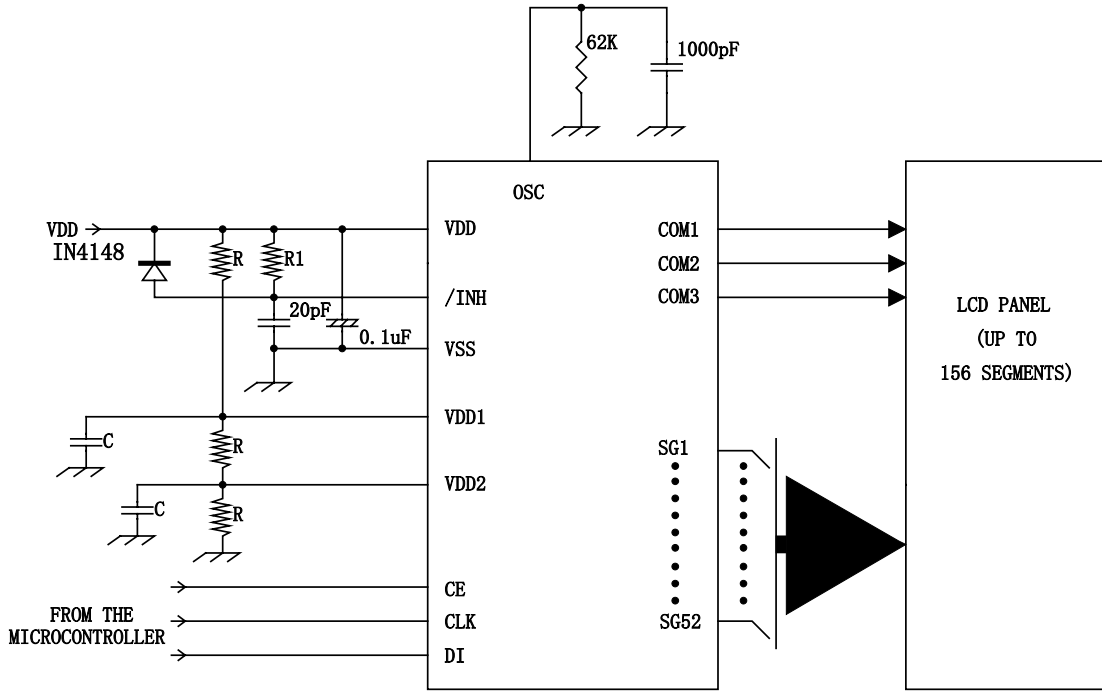
1/3 BIAS (FOR NORMAL SIZE DISPLAY PANELS)



Note: 1. $39K\Omega \geq R1 \geq 10K\Omega$

2. $C \geq 0.047\mu F$

1/3 BIAS (FOR LARGE PANELS)



- Note: 1. $39K \Omega \geq R1 \geq 10 K \Omega$
 2. $C \geq 0.047\mu F$
 3. $10K \Omega \geq R \geq 1 K \Omega$

ORDER INFORMATION

Valid Part Number	Package Type	Top Code
SC6523	64 Pins, QFP Package	SC6523
SC6523LQ	64 Pins, LQFP Package	SC6523LQ
SC6523 (L)	64 Pins, QFP Package	SC6523
Sc6523LQ (L)	64 Pins, LQFP Package	SC6523LQ

Note:

- (L) = Lead Free
- The Lead Free mark is put in front of the date code.

PAD ASSIGNMENT AND LOCATION



Pad No.	Pad Name	X	Y	Pad No.	Pad Name	X	Y
1	SG01	10.00	10.00	33	SG33	1800.00	1770.00
2	SG02	135.00	10.00	34	SG34	1675.00	1770.00
3	SG03	245.00	10.00	35	SG35	1565.00	1770.00
4	SG04	355.00	10.00	36	SG36	1455.00	1770.00
5	SG05	465.00	10.00	37	SG37	1345.00	1770.00
6	SG06	575.00	10.00	38	SG38	1235.00	1770.00
7	SG07	685.00	10.00	39	SG39	1125.00	1770.00
8	SG08	795.00	10.00	40	SG40	1015.00	1770.00
9	SG09	905.00	10.00	41	SG41	905.00	1770.00
10	SG10	1015.00	10.00	42	SG42	795.00	1770.00
11	SG11	1125.00	10.00	43	SG43	685.00	1770.00
12	SG12	1235.00	10.00	44	SG44	757.00	1770.00
13	SG13	1345.00	10.00	45	SG45	465.00	1770.00
14	SG14	1455.00	10.00	46	SG46	355.00	1770.00
15	SG15	1565.00	10.00	47	SG47	245.00	1770.00
16	SG16	1675.00	10.00	48	SG48	135.00	1770.00
17	SG17	1800.00	10.00	49	SG49	10.00	1770.00
18	SG18	1800.00	120.00	50	SG50	10.00	1660.00
19	SG19	1800.00	230.00	51	SG51	10.00	1550.00
20	SG20	1800.00	340.00	52	SG52	10.00	1440.00
21	SG21	1800.00	450.00	53	COM1	10.00	1330.00
22	SG22	1800.00	560.00	54	COM2	10.00	1220.00
23	SG23	1800.00	670.00	55	COM3	10.00	1110.00
24	SG24	1800.00	780.00	56	VDD	10.00	1000.00
25	SG25	1800.00	890.00	57	INH	10.00	890.00
26	SG26	1800.00	1000.00	58	VDD1	10.00	780.00
27	SG27	1800.00	1110.00	59	VDD2	10.00	670.00
28	SG28	1800.00	1220.00	60	GND	10.00	560.00
29	SG29	1800.00	1330.00	61	OSC	10.00	450.00
30	SG30	1800.00	1440.00	62	CE	10.00	340.00
31	SG31	1800.00	1550.00	63	CLK	10.00	230.00
32	SG32	1800.00	1660.00	64	DI	10.00	120.00