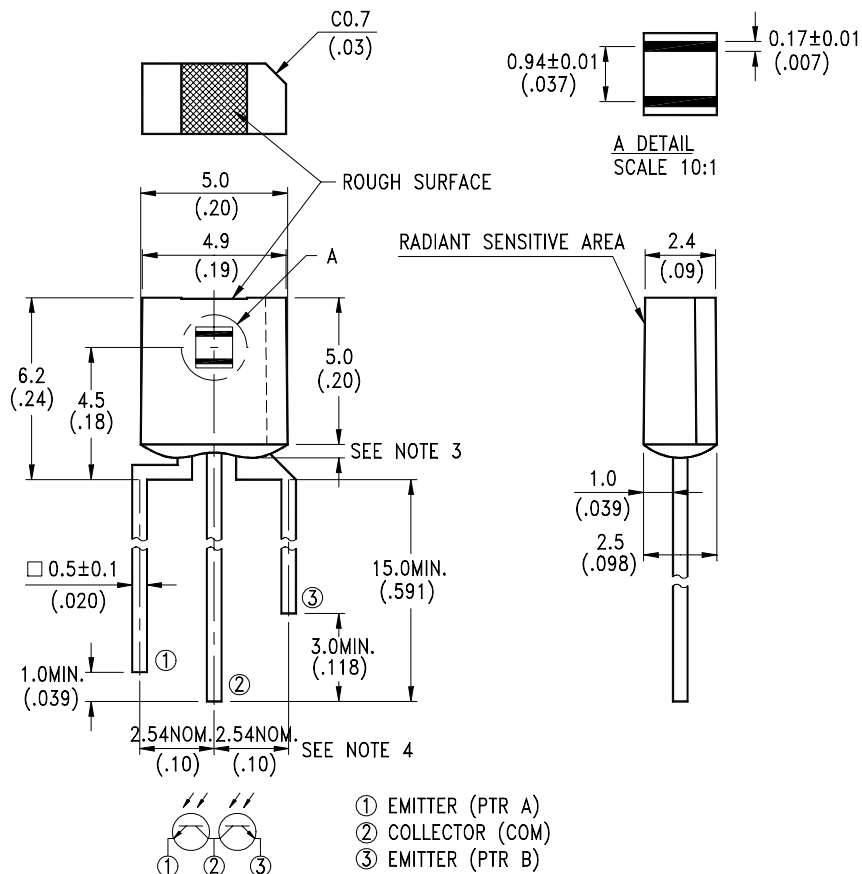


FEATURES

- * WIDE RANGE OF COLLECTOR CURRENT
- * HIGH SENSITIVITY
- * FAST SWITCHING TIME
- * THE LTR-5677D IS A SPECIAL DARK GREEN PLASTIC PACKAGE THAT CUT THE VISIBLE FOR THE DETECTORS OF INFRARED APPLICATIONS

PACKAGE DIMENSIONS



NOTES:

1. All dimensions are in millimeters (inches).
2. Tolerance is $\pm 0.25\text{mm}(.010\text{'})$ unless otherwise noted.
3. Protruded resin under flange is 1.5mm(.059") max.
4. Lead spacing is measured where the leads emerge from the package.
5. Specifications are subject to change without notice.

ABSOLUTE MAXIMUM RATINGS AT TA=25°C

PARAMETER	MAXIMUM RATING	UNIT
Power Dissipation	100	mW
Collector-Emitter Voltage	30	V
Emitter-Collector Voltage	5	V
Operating Temperature Range	-40°C to + 85°C	
Storage Temperature Range	-55°C to + 100°C	
Lead Soldering Temperature [1.6mm(.063") From Body]	260°C for 5 Seconds	

ELECTRICAL / OPTICAL CHARACTERISTICS AT TA=25°C

PARAMETER	SYMBOL	MIN.	TYP.	MAX.	UNIT	TEST CONDITION	BIN NO.	Marking Color
Collector-Emitter Breakdown Voltage	$V_{(BR)CEO}$	30			V	$I_C = 1mA$ $E_e = 0mW/cm^2$		
Emitter-Collector Breakdown Voltage	$V_{(BR)ECO}$	5			V	$I_E = 100\mu A$ $E_e = 0mW/cm^2$		
Collector Emitter Saturation Voltage	$V_{CE(SAT)}$		0.1	0.4	V	$I_C = 50\mu A$ $E_e = 0.5mW/cm^2$		
Rise Time	T_r		15		μs	$V_{CC} = 5V$ $I_C = 1mA$ $R_L = 1K\Omega$		
Fall Time	T_f		18		μs			
Collector Dark Current	I_{CEO}		0.1	100	nA	$V_{CE} = 10V$ $E_e = 0mW/cm^2$		
Average On State Collector Current Range Setting of LITE-ON Production (I_{L1}/I_{L2})/2	$I_{C(ON)}$	0.20		0.25	mA	$V_{CE} = 5V$ $E_e = 1mW/cm^2$	BIN A	Red
		0.25		0.30			BIN B	Black
		0.30		0.35			BIN C	Green
		0.35		0.40			BIN D	Blue
		0.40		0.45			BIN E	White
		0.45		0.50			BIN F	Purple
		0.50		0.55			BIN G	Yellow
		0.55		0.60			BIN H	Orange
		0.60		0.65			BIN I	Golden
Average On State Collector Current Range Q.C Limits (I_{L1}/I_{L2}) / 2	$I_{C(ON)}$	0.16		0.30	mA	$V_{CE} = 5V$ $E_e = 1mW/cm^2$	BIN A	Red
		0.20		0.36			BIN B	Black
		0.24		0.42			BIN C	Green
		0.28		0.48			BIN D	Blue
		0.32		0.54			BIN E	White
		0.36		0.60			BIN F	Purple
		0.40		0.66			BIN G	Yellow
		0.44		0.72			BIN H	Orange
		0.48		0.78			BIN I	Golden
Collector Current Ratio Of 2 Phototransistor	R	0.8	1.0	1.25		$I_{C(ON)(a)} / I_{C(ON)(b)}$		

TYPICAL ELECTRICAL / OPTICAL CHARACTERISTICS CURVES

(25°C Ambient Temperature Unless Otherwise Noted)

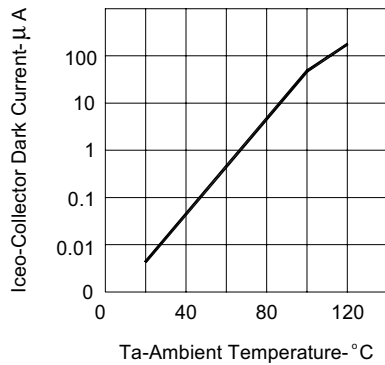


FIG.1 COLLECTOR DARK CURRENT VS AMBIENT TEMPERATURE

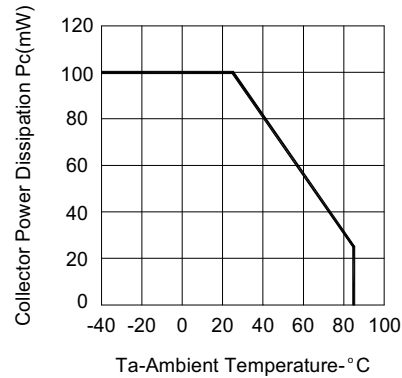


FIG.2 COLLECTOR POWER DISSIPATION VS AMBIENT TEMPERATURE

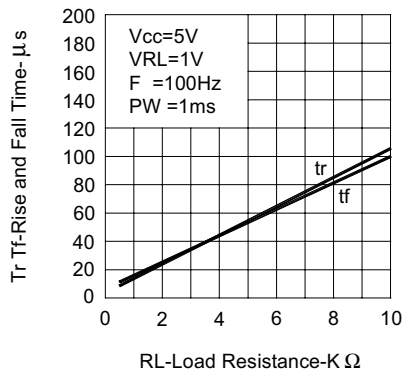


FIG.3 RISE AND FALL TIME VS LOAD RESISTANCE

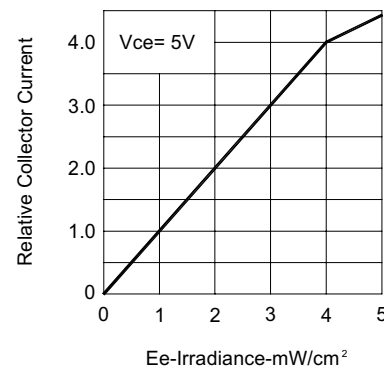


FIG.4 RELATIVE COLLECTOR CURRENT VS IRRADIANCE