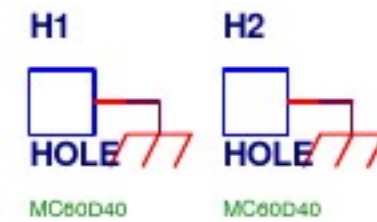
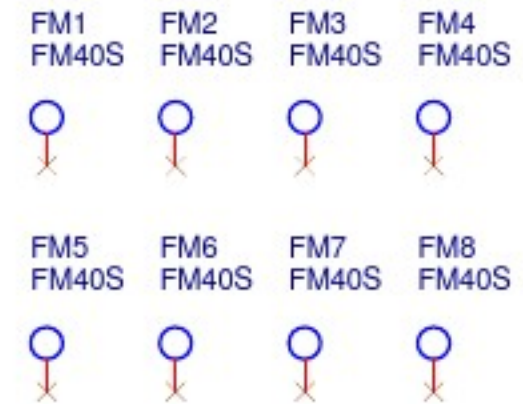
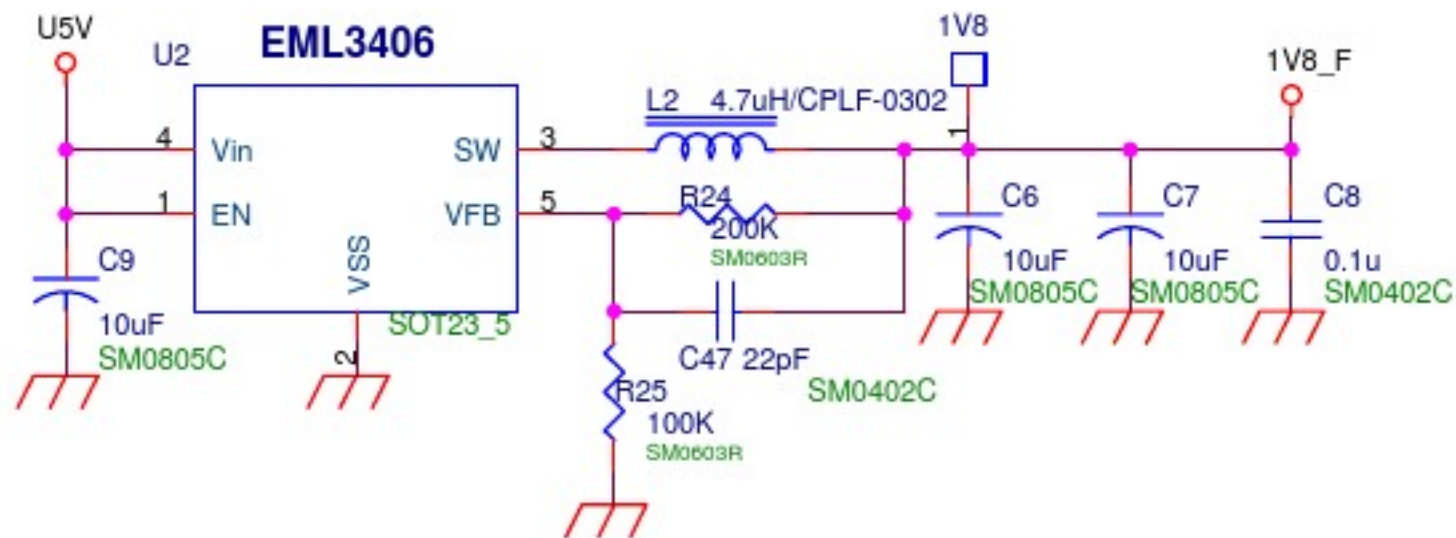
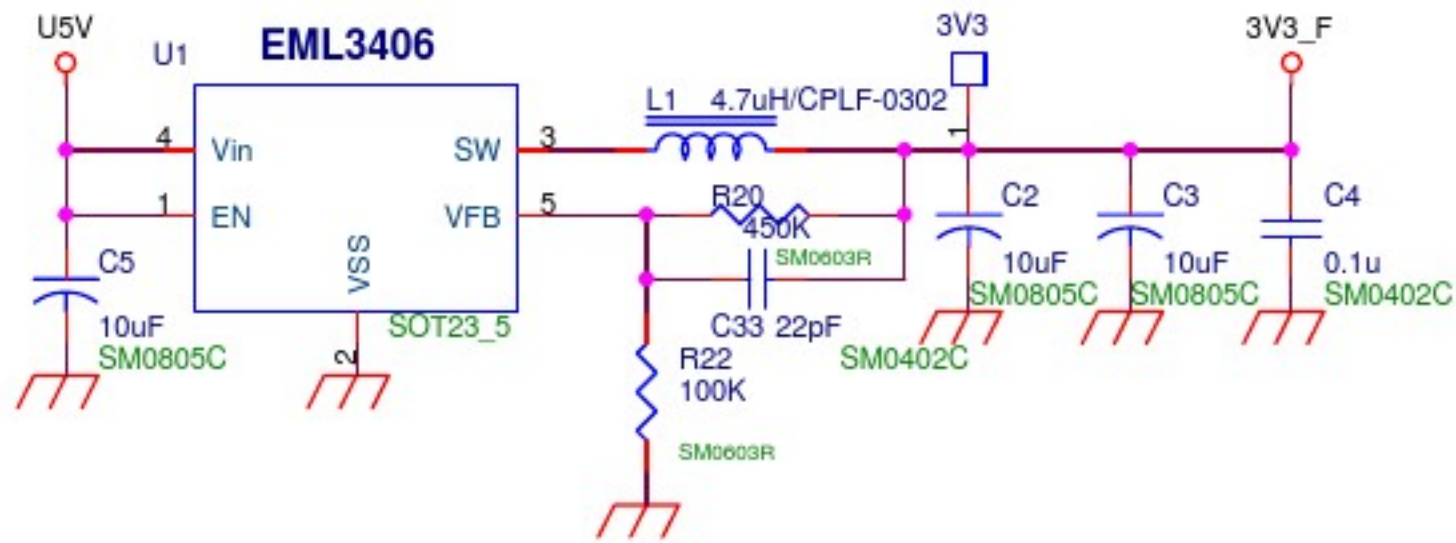
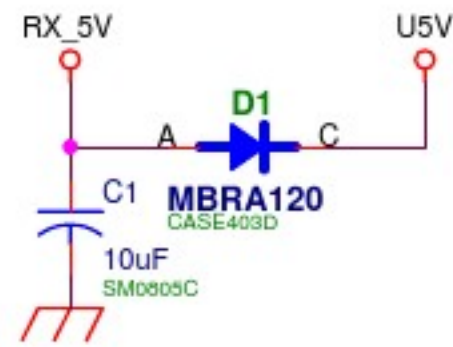


EP94Z1E DEMO V1.0		
Size B	Document Number EP94Z1E (LQFP-64)	Rev A
Date: Monday, October 29, 2012	Sheet 2	of 3



EP94Z1E DEMO V1.0

Size A	Document Number	Rev A
Power System		
Date: Monday, October 29, 2012	Sheet 1 of 3	

