

DW8560



AC/DC

AC Direct IC with PFC
internal MOSFET

AC Input High-Voltage Linear
LED Driver

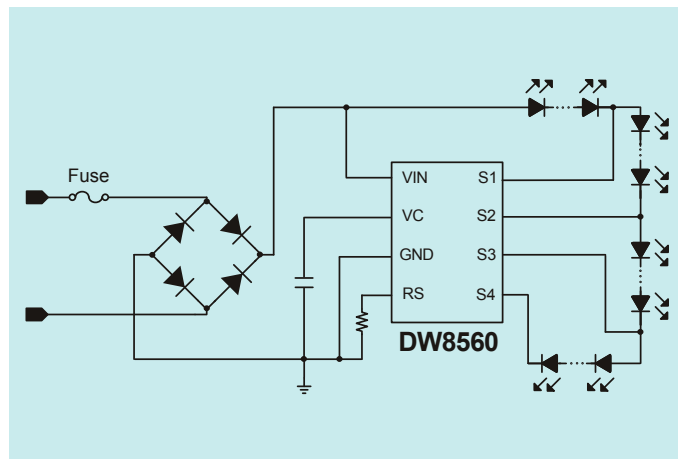
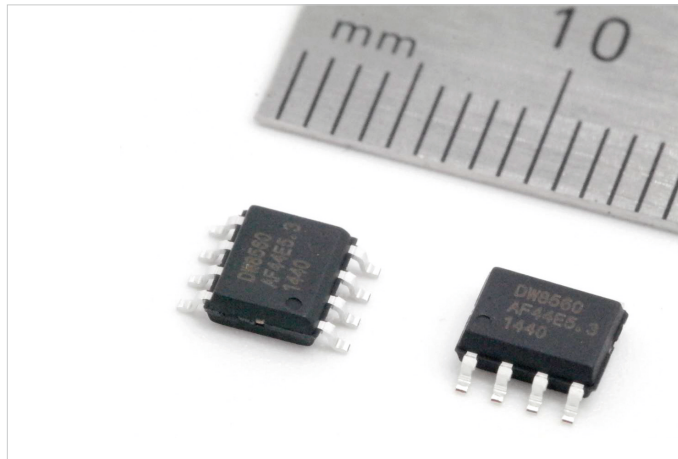
DW8560 is an integrated AC input high-voltage LED driver for direct line operation. 220V AC line voltage is rectified by Bridge Rectifier, and supply for LED and DW8560. During one rectified line voltage cycle, 4 HVLED segments are turned on in proper sequence as the line voltage increases and turned off in reverse sequence as the line voltage decreases. DW8560 setup LED current for every LED segment, which ensures high power factor and low THD. LED current can be setup via an external resistor conveniently. The setup range is 10~50mA. DW8560 regulates the effective LED current and ensures the LED current is constant when VIN varies. DW8560 provides over temperature protection.

eSOP-8L ▶

W 6.00 mm

H 5.00 mm

D 1.75 mm



Features

- 50/60Hz, AC input operation
- Only 2 external components
- Integrated 600V and 500V LDNMOSFET
- High power factor and low THD
- Programmable LED current
- Constant LED current control
- Over thermal protection
- eSOP8 package

Applications

- Isolated type LED driver applications
- Signage and decorative LED lighting
- General lighting of flat panel displays
- Automotive
- RGB backlighting
- General purpose constant current source
- In / outdoor lighting, street, roadway, parking, construction lamp