

# DW8531



AC/DC

Non-Isolated IC  
( Internal FET )

Non-Isolated Buck LED Driver  
with High Voltage MOSFET

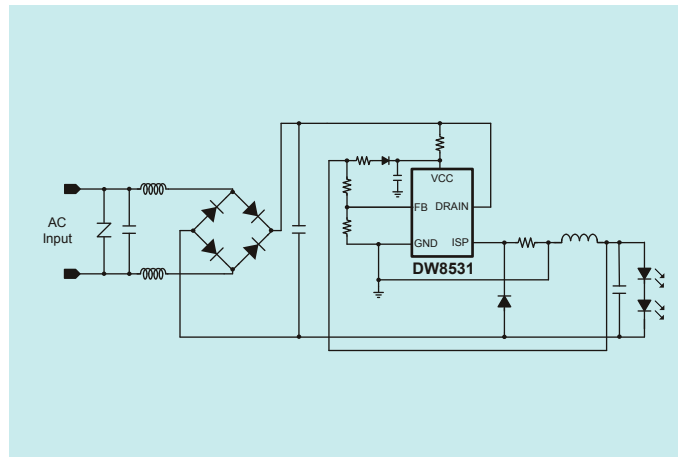
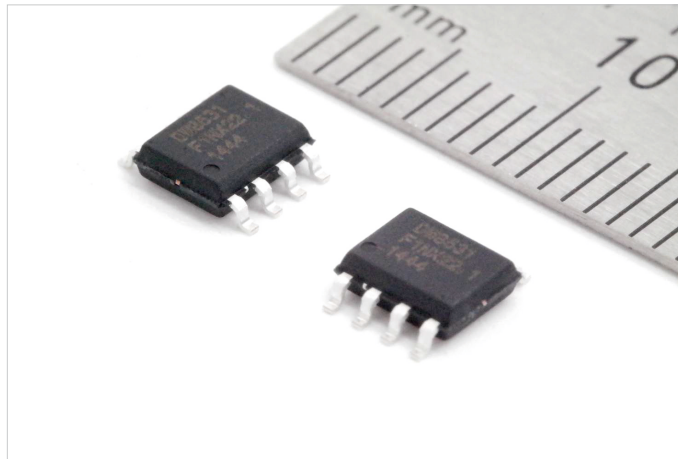
DW8531 is a constant current LED driver with high current accuracy which applies to single stage step-down LED drivers. 500V power MOS is integrated, which can significantly simplify the peripheral components. High accuracy of output current is achieved by sensing the output current directly. Critical conduction mode operation reduces the switching losses and significantly increases the efficiency. DW8531 can be supplied from the output directly and the auxiliary winding is not needed. DW8531 has multi-protection functions which enhances the safety and the reliability of system including: VCC over-voltage protection, VCC UVLO, short-circuit protection, LED open protection, cycle-by-cycle current limit and overtemperature protection.

## SOP-7L ▶

W 6.00 mm

H 5.00 mm

D 1.75 mm



## Features

- No auxiliary winding
- Good line and load regulation
- Critical conduction mode
- 500V high voltage MOSFET Integrated
- High efficiency over wide operating range
- Cycle-by-cycle current Limit
- LED short protection

- LED open protection
- Over temperature protection
- SOP-7 package

## Applications

- DC/DC or AC/DC LED driver applications
- Signage and decorative LED lighting
- General lighting of flat panel displays
- RGB backlight
- General purpose constant current source
- Bulb light