

DW8522



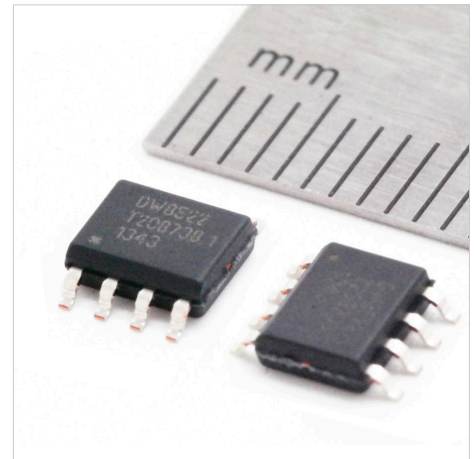
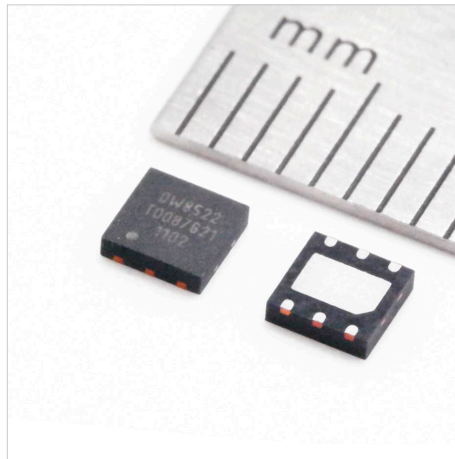
DC/DC Type

High-Brightness
Buck Controller

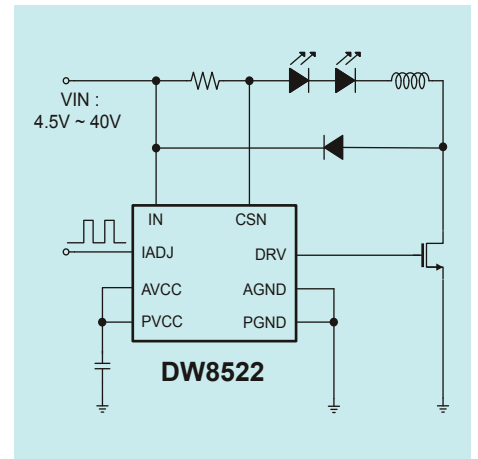
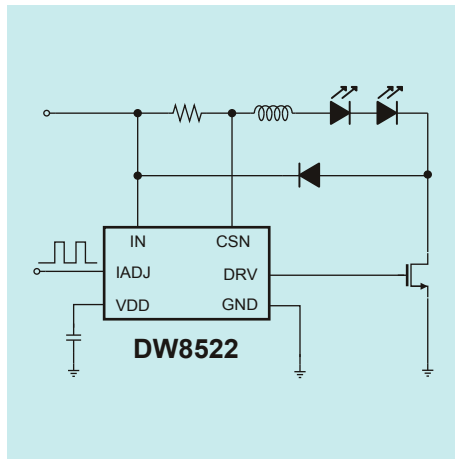
High-Brightness Buck
Controller LED Driver

DW8522 is a high efficiency step down (Buck) converter for LED driver IC which provide a solution for MR16, general lighting of flat panel displays and general DC voltage LED applications. DW8522 built in high-side current sensing circuit and protection circuit same as TSD and current limit. It can use PWM dimming and analog dimming. DW8522 are available in Small DFN package and a SOIC package.

L TDFN-6	R SOIC-8L(EP) ▶
W 3.00 mm	W 4.90 mm
H 3.00 mm	H 6.00 mm
D 0.75 mm	D 1.52 mm



L 6 TDFN	R 8 SOIC ▶
------------	--------------



Features

- 4.5V to 40V input voltage range
- Hysteretic buck control : Low parts count
- Single pin On/Off and brightness control using DC voltage and PWM
- Thermal derating function
- 20KHz maximum dimming PWM frequency
- Up to 2MHz switching frequency
- ±2.5% LED current accuracy
- Thermal enhanced package SOIC-8, TDFN-6

Applications

- MR16, PAR, L-tube lighting
- Offline LED lamps and fixtures
- Signage and decorative lighting
- General purpose LED lighting