

DW8521



Linear Type
Low Power

2A Peak, 44V Multi-
Topology LED Driver

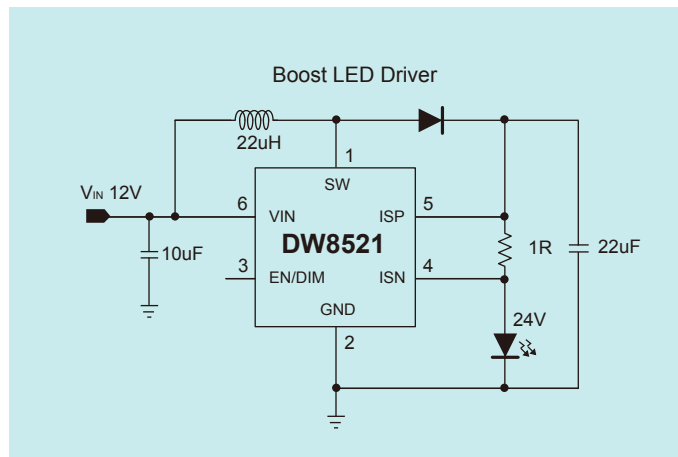
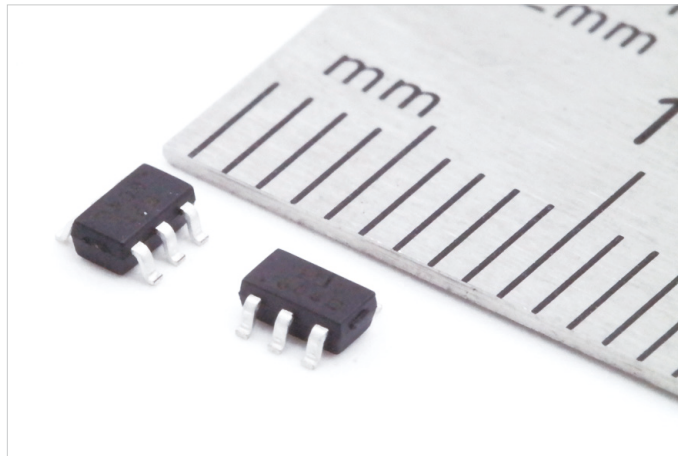
DW8521 is a current mode monolithic LED driver. The LED current can be controlled with an analog input voltage. With high-side LED current sensing, DW8521 can be configured as buck, boost or buck-boost topology to serve different LED driver need. The integrated 44V/2A N-Channel MOSFETs ensures high efficiency operation. At light loads, DW8521 operates in low frequency to maintain high efficiency and low output ripple. The overvoltage lockout protection on SW pin protects DW8521 from open LED fault. DW8521 also has thermal protection at 140°C. DW8521 is available in a 6-pin SOT23-6 and a 8-pin ESOP8 package, which provides a compact solution with minimal external components.

SOT23-6L ▶

W 2.92 mm

H 2.8 mm

D 1.35 mm



Features

- 4.6V to 44V operating input range
- 2A peak switch current
- Analog dimming and PWM dimming
- Constant off-time operation
- SW over voltage lockout
- Thermal protection
- Available in SOT23-6 and ESOP8 package

Applications

- LED light bulbs
- Signage and decorative LED lighting
- General lighting of flat panel displays
- RGB backlighting
- Current stabilizer with DC/DC or AC/DC
- General purpose constant current source