

DW8506



Linear Type
Low Power

DW8506 is an instant LED driver for low power LED applications. At DW8506 output stage, one regulated current port is designed to provide a uniform and constant current sink for driving LED within a large range of V_f variations. DW8506 provides a consistent current source. User may adjust the output current up to 100mA through an external resistor, R_s , which gives users flexibility in controlling the light intensity of LEDs. DW8506 also guarantees that LED can be cascaded to maximum 40V at the output port.

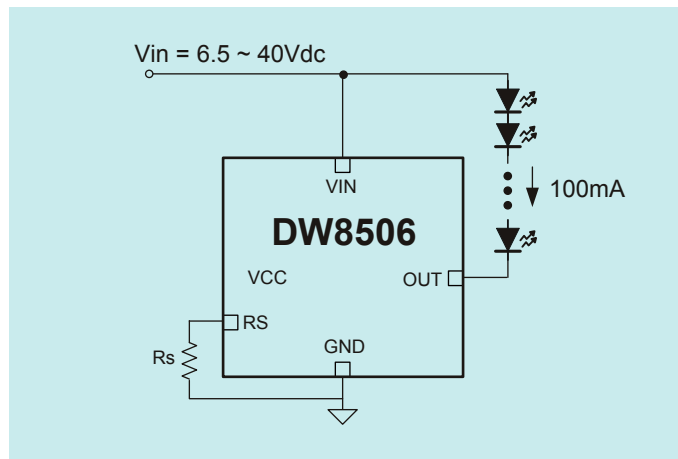
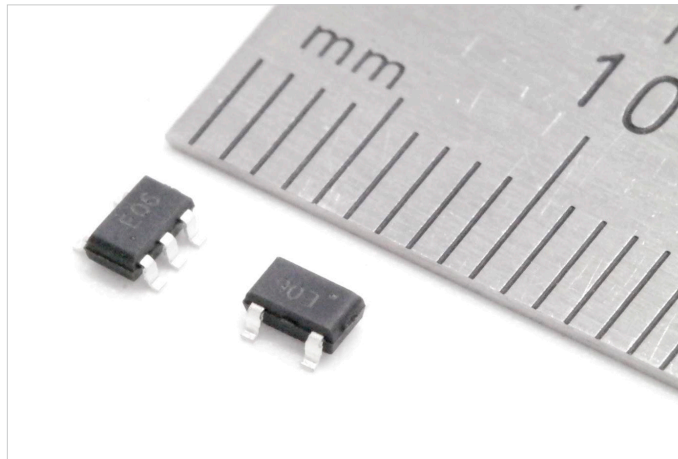
Low Power High Accuracy
LED Driver

SOT23-5L ▶

W 2.92 mm

H 2.80 mm

D 1.30 mm



Features

Constant output current invariant to supply and load voltage change

6.5V to 36V supply voltage

60mA fixed regulated output current

Max. 0.5V output drop-out Voltage

Built-in thermal derating circuit

Applications

LED light bulbs

Signage and decorative LED lighting

General lighting of flat panel displays

RGB backlighting

Current stabilizer with DC/DC or AC/DC

General purpose constant current source