

DW8502



Linear Type
High Power

High Power LED Driver

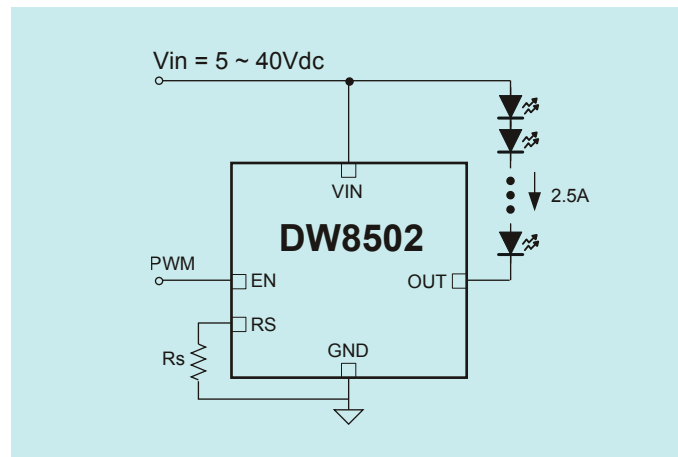
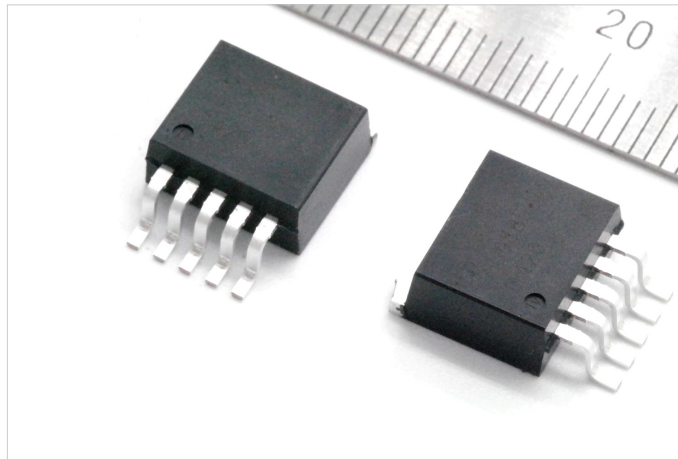
DW8502 is an instant On/Off LED driver for high power LED applications. At DW8502 output stage, one regulated current port is designed to provide a uniform and constant current sink for driving LEDs within a large range of V_F variations. DW8502 provides a consistent current source. User may adjust the output current up to 2.5A through an external resistor, R_s , which gives users flexibility in controlling the light intensity of LED. In addition, users can precisely adjust LED brightness from 0% to 100% via output enable (EN) with Pulse Width Modulation. DW8502 also guarantees that LED can be cascaded to maximum 40V at the output port.

TO-263

W 10.10mm
H 14.85mm
D 4.57mm

TO-220 ▶

W 10.10mm
H 28.85mm
D 4.57mm



Features

- 5V to 40V supply voltage
- Regulated output current up to 2.5A adjustable
- Low dropout voltage : Max. 1V @ ILED=1A
- Built-in thermal derating circuit
- Available PWM dimming control
- Thermal enhanced package T0263-5L, T0220-5L

Applications

- LED light bulbs
- Signage and decorative LED lighting
- General lighting of flat panel displays
- Automotive
- RGB backlighting
- Current stabilizer with DC/DC or AC/DC
- General purpose constant current source