

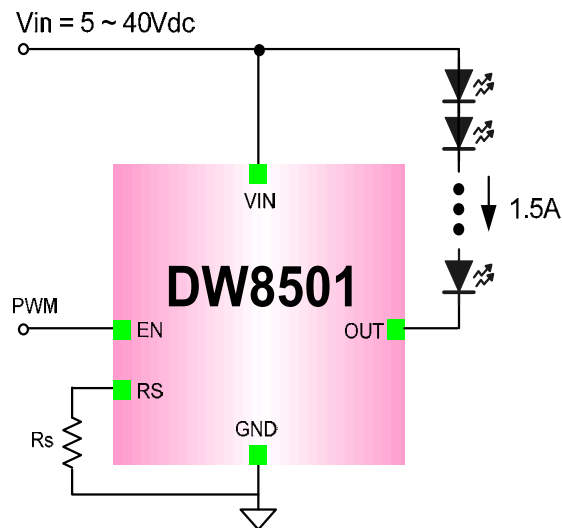
## Features

- 5V to 40V Supply voltage
  - Regulated output current up to 1.5A adjustable
  - Low dropout voltage : Max. 1V @  $I_{LED}=1A$
  - Built-in thermal shutdown circuit
  - Available PWM dimming control
  - Thermal enhanced package
- SOT223-5L, TO252-5L

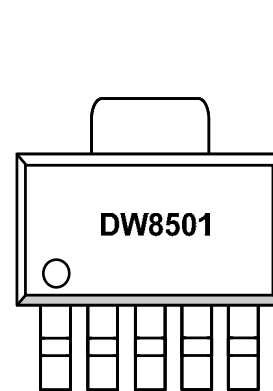
## Applications

- LED light bulbs
- Signage and decorative LED lighting
- General lighting of flat panel displays
- Automotive
- RBG backlighting LED driver
- Current stabilizer with DC/DC or AC/DC
- General purpose constant current source

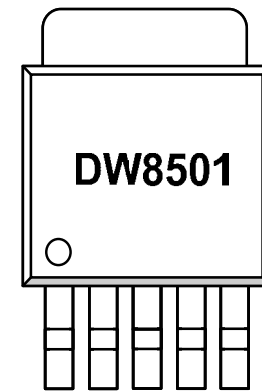
## Typical Application



## Package



SOT-223  
(6.5 x 3.5 x 1.8)



TO-252  
(6.5 x 5.5 x 2.3)

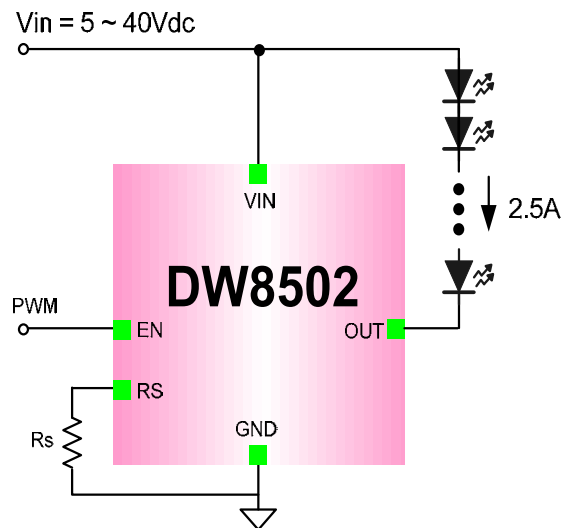
## Features

- 5V to 40V Supply voltage
  - Regulated output current up to 2.5A adjustable
  - Low dropout voltage : Max. 2V @  $I_{LED}=2A$
  - Built-in thermal shutdown circuit
  - Available PWM dimming control
  - Thermal enhanced package
- TO263-5L

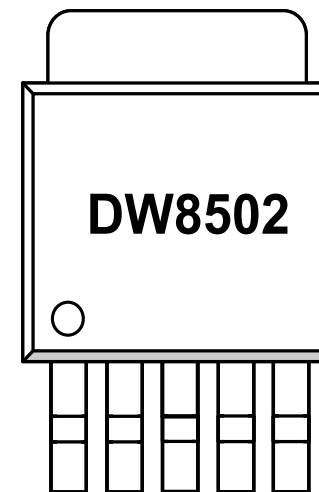
## Applications

- LED light bulbs
- Signage and decorative LED lighting
- General lighting of flat panel displays
- Automotive
- RGB backlighting LED driver
- Current stabilizer with DC/DC or AC/DC
- General purpose constant current source

## Typical Application



## Package



TO-263

# Comparison Table

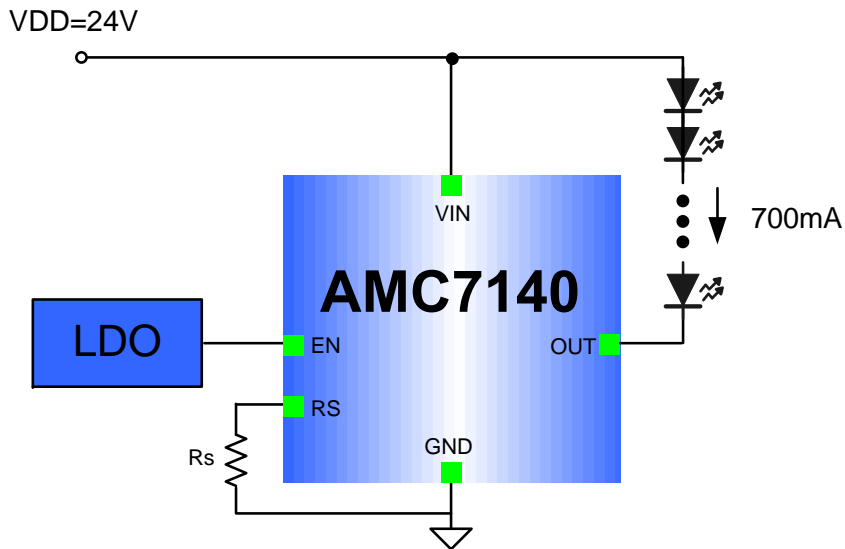
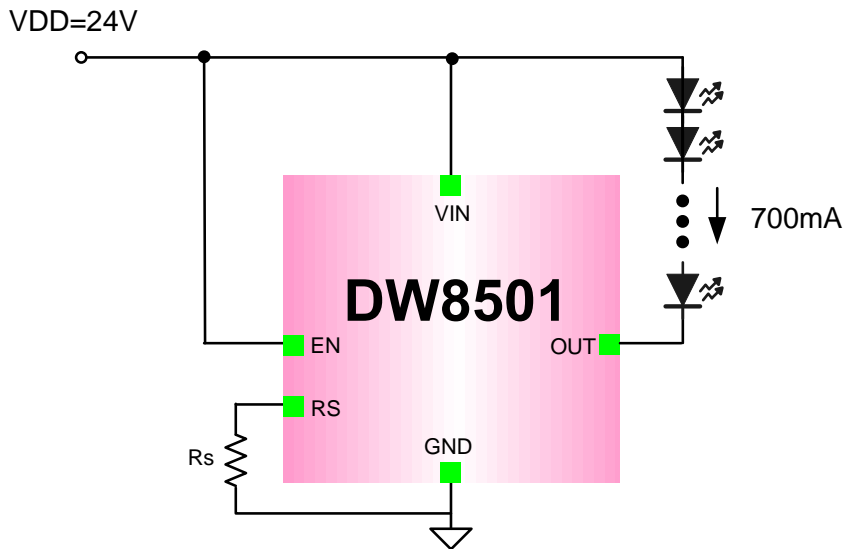
Leading company  
Emerging company  
Differential company

	DW8501	DW8502	AMC7140
Vender	Dong woon	Dong woon	ADDTEK
동작전압	5V ~ 40V	5V ~ 40V	5V ~ 50V
PKG Size	SOT-223-5 (6.5 x 3.5 x 1.8) TO-252 (6.5 x 5.5 x 2.3)	TO-263 10.16x15.35x4.57	TO-252 (6.5 x 5.5 x 2.3)
Icc	Under 1.5mA	Under 1.5mA	Under 5mA
EN Pin Voltage	~40V	~40V	~13.2V
PWM Dimming	O	O	O
Current	1.5A	2.5A	700mA
Temperature Protection	Derating	Derating	TSD
External Component	2 (Cap1, Res1)	2 (Cap1, Res1)	2(Cap1, Reg1) 1(Regulator) for EN
Accuracy	4%	4%	5%

# Comparison (DW8501 vs. AMC7140)

Leading company  
Emerging company  
Differential company

Total Solutions for LED Lighting



In case of AMC7140, It must be use one LDO for EN pin, because of EN pin maximum ratings is under 13.2V.



AMC7140

## ABSOLUTE MAXIMUM RATINGS (Note)

Input Voltage, $V_{DD}$	50V
Output Voltage, $V_{OUT}$	75V
Enable Voltage, $V_{EN}$	13.2V
Maximum Operating Junction Temperature, $T_J$	150°C
Storage Temperature Range	-65°C to 150°C
Lead Temperature (soldering, 10 seconds)	260°C
Note: Exceeding these ratings could cause damage to the device. All voltages are with respect to Ground. Currents are positive into, negative out of the specified terminal.	

CONFIDENTIAL