

DW3505

Low Power LED Driver



Linear Type

Middle Power

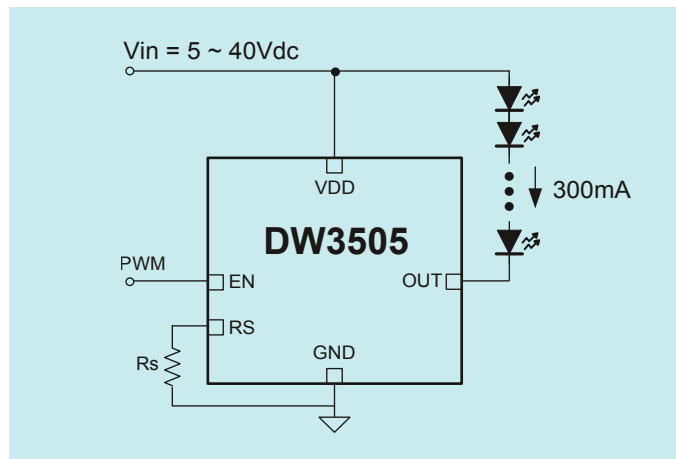
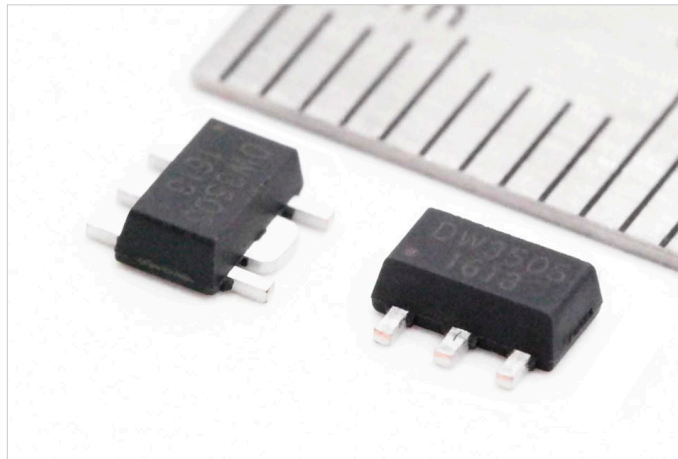
SOT-89-5L ▶

W 4.50 mm

H 2.45 mm

D 1.50 mm

DW3505 is an instant On/Off LED driver for low power LED applications. At DW3505 output stage, one regulated current port is designed to provide a uniform and constant current sink for driving LEDs within a large range of VF variations. DW3505 provides a consistent current source. You may adjust the output current up to 300mA through an external resistor R_s , which gives you flexibility in controlling the light intensity of LEDs. In addition, you can precisely adjust LED brightness from 0% to 100% via output enable (EN) with Pulse Width Modulation. DW3505 also guarantees that LED can be cascaded to maximum 40V at the output port.



Features

- Constant output current invariant to supply and load voltage change
- 5V to 40V supply voltage
- Up to 300mA adjustable regulated output current
- Built-in thermal derating circuit
- Available PWM dimming control
- Output current adjusted through an external resistor
- SOT89-5L Package

Applications

- LED light bulbs
- Signage and decorative LED lighting
- General lighting of flat panel displays
- RGB backlighting LED driver
- Current stabilizer with DC/DC or AC/DC
- General purpose constant current source